



120 Cell Mono
360-380W(9BB)

BVM6610M(S)-HC

0~+5W
Power Tolerance

20.9%
Maximum Efficiency

360-380W
Power Output Range



1755 x 1038 x 35 mm

Black Frame / White Backsheet



High Quality and Reliable Modules

- ◆ Withstand up to 5400 Pa snow load and 2400 Pa wind load
- ◆ 1000/1500V DC TUV certified
- ◆ 2 EL inspections per cell/module for defect-free consistency
- ◆ 0~+5 W guaranteed positive tolerance
- ◆ Rugged design for long-term durability; passed extended reliability tests



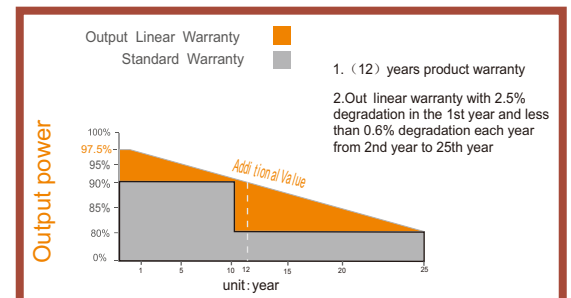
Warranty

- ◆ 12-year product warranty
- ◆ 25-year linear power output warranty



Comprehensive Certificates for Products and Management

- ◆ IEC 61215, IEC 61730 and CE
- ◆ ISO 9001 for Quality Management Systems
- ◆ ISO 14001 for Environmental Management Systems
- ◆ OHSAS 18001 Occupational Health and Safety System



Boviet Solar www.boviet.com

B5, B6, Song Khe Industrial Zone, Noi Hoang District Bac Giang Province, 21000 Vietnam

Electrical Characteristics STC

	BVM6610-360S-H-HC	BVM6610-365S-H-HC	BVM6610-370S-H-HC	BVM6610-375S-H-HC	BVM6610-380S-H-HC
Maximum Power (Pmax)	360W	365W	370W	375W	380W
Maximum Power Current (Imp)	9.86A	9.92A	9.99A	10.05A	10.10A
Maximum Power Voltage (Vmp)	36.52V	36.80V	37.07V	37.35V	37.68V
Short Circuit Current (Isc)	10.40A	10.47A	10.53A	10.60A	10.67A
Open Circuit Voltage (Voc)	42.04V	42.18V	42.33V	42.48V	42.62V
Module Efficiency	19.76%	20.04%	20.31%	20.59%	20.86%
Power Tolerance	0~+5W	0~+5W	0~+5W	0~+5W	0~+5W

STC: AM1.5, Irradiance 1000W/m², 25°C

Electrical Characteristics NOCT

	BVM6610-360S-H-HC	BVM6610-365S-H-HC	BVM6610-370S-H-HC	BVM6610-375S-H-HC	BVM6610-380S-H-HC
Maximum Power (Pmax)	266W	270W	274W	278W	282W
Maximum Power Current (Imp)	7.79A	7.83A	7.87A	7.91A	7.95A
Maximum Power Voltage (Vmp)	34.60V	34.96V	35.31V	35.65V	36.04V
Short Circuit Current (Isc)	8.31A	8.36A	8.41A	8.46A	8.51A
Open Circuit Voltage (Voc)	38.37V	38.52V	38.63V	38.79V	38.90V

NOCT: AM1.5, Irradiance 800W/m², 20°C, Wind speed 1m/s

Mechanical Characteristics

Thermal Characteristics

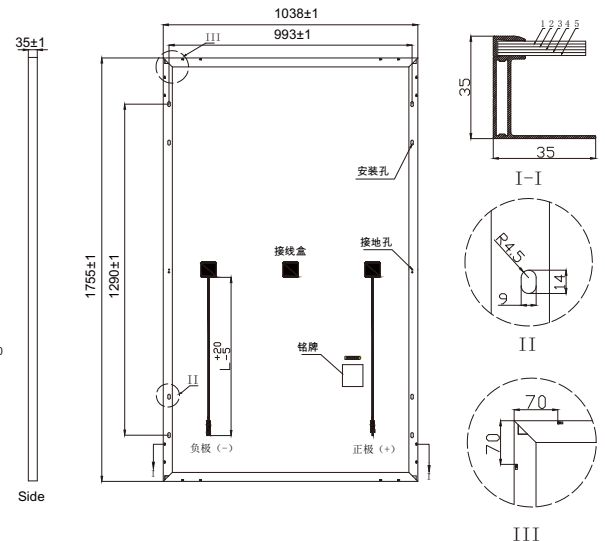
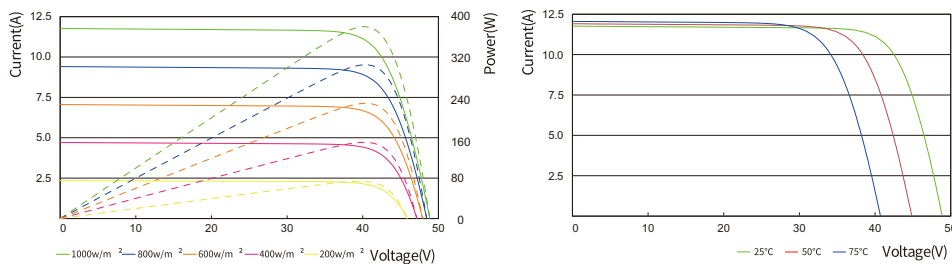
Solar Cell	Monocrystalline 166x83 mm, 120 pcs in series	Pmax Temperature Coefficient	-0.39%/°C
Glass	High transparency, low iron, tempered glass 3.2 mm	Voc Temperature Coefficient	-0.30%/°C
Frame	Anodized aluminum alloy	Isc Temperature Coefficient	+0.05%/°C
Junction Box	IP68 rated, with 3 bypass diode	NOCT	45±2°C
Output Cable	4mm ² (EU), 1200 mm long		
Connector	EVO2 Connector		
Dimension	1755x1038x35mm		
Weight	20.0 KG		

Packing Information

Operating Temperature	-40~85°C	Pieces per pallet	31
Maximum Series Fuse Rating	20 A	Pallets per container (40HQ)	26
Maximum System Voltage	Standard 1500V	Pieces per container (40HQ)	806

Specifications in this datasheet are subject to change without prior notice.

I-V curves



尹利超
2021.11.24